

Seal Installation

SEAL ASSEMBLY

Careful fitting and assembling of the seals will assist in preventing seal failure. The following check list is advisable

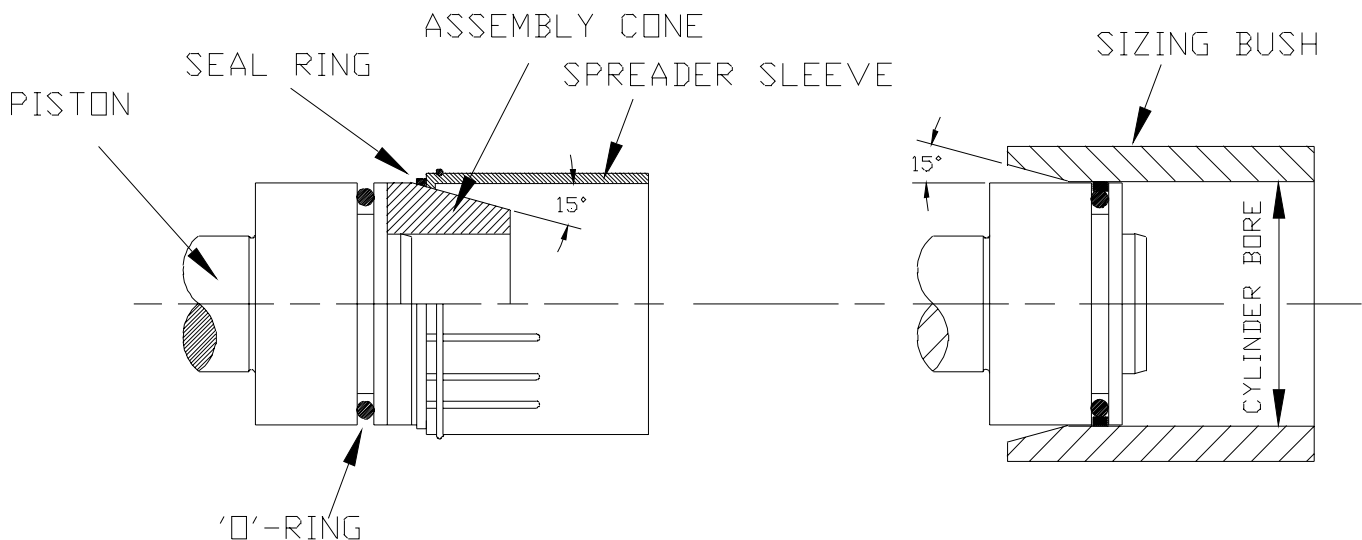
- Ensure all metal parts are clean and free from contamination.
- Check that the seal housing is free of sharp edges and burrs.
- Where seals are to pass over threads, undercuts, etc. some form of protective sleeve should be used.
- Ensure that the seal is the correct type, part number, and size as that specified.
- When fitting single-acting seals particularly make certain that the pressure side of the seal is installed correctly.
- Check that lead in chamfers available.
- Oil the seal and surrounding metal components before fitting.
- Certain seal types may require appropriate fitting tools to assist in damage free assembly.

Composite Seal Installation

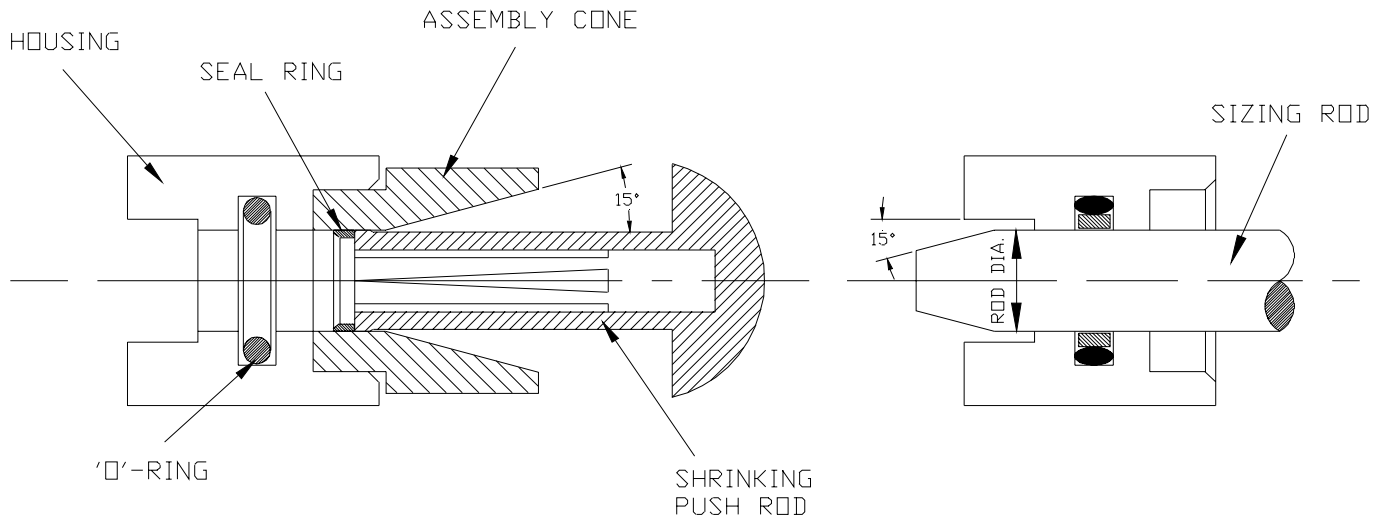
Composite Seals can be assembled easily onto one piece pistons and into internal grooves. The material will stretch, deform and compress to allow assembly and will return to its original dimension after a period of time. If this period is unacceptable the ring can be reverted to its original size immediately by exerting a force opposite to that used to assemble in the first instance. This reversal of strain can be carried out many times with no deterioration of the material properties.

Assembly can be carried out in many ways and we show some suggestions for tools to facilitate the simplest assembly. It is recommended that the tools should be made from plastic material (POM, PA, P.V.C., etc.) to reduce the risk of any damage to the seal.

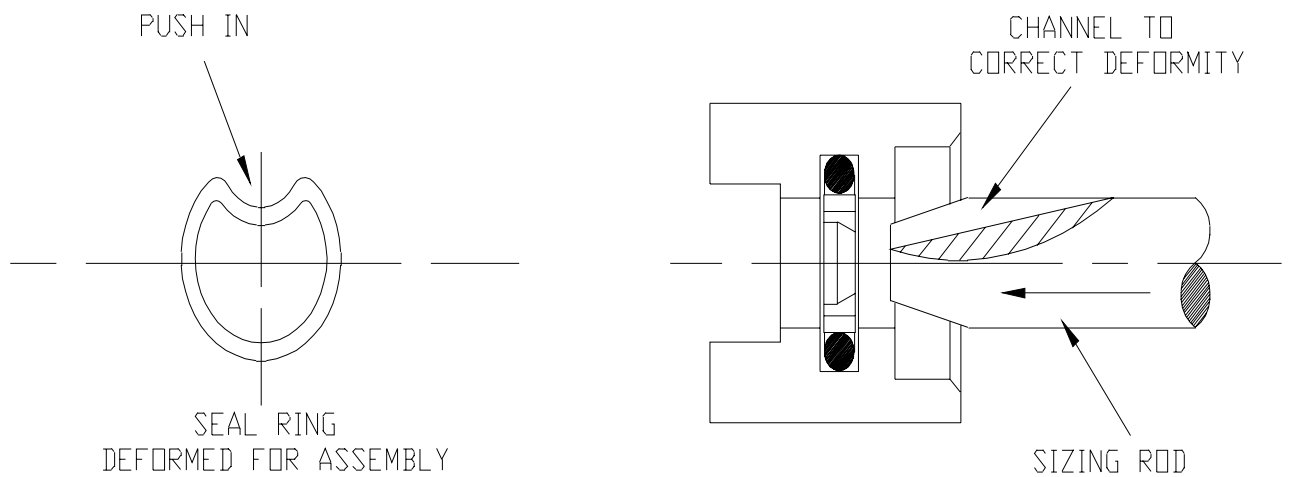
Piston Seal Assembly



Rod Seal Assembly



Small Diameters Or Deep Bores



Larger Diameters